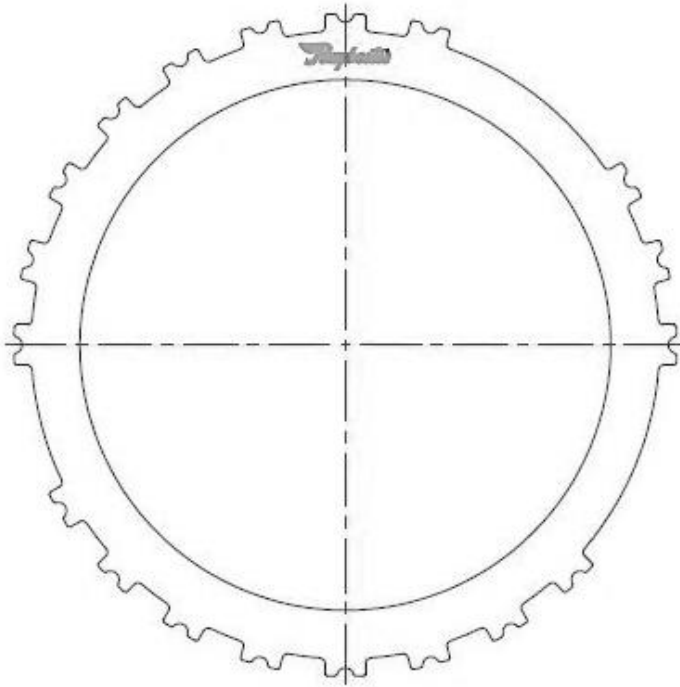


## Chrysler AS69RC

---



## B2 Steel Plate

---

**Part No.**  
**5111067**

**Year Coverage:**  
2013-ON

**OEM Number(s):**  
NA

**Carton Qty:**  
100

### Features/Benefits:

---

- OE thickness for maximum heat sink with better shift performance and clutch durability to extend transmission life
- Meets or exceeds OE specifications for flatness and parallelism with a superior surface finish for greater apply area and friction clutch life
- Flawless fit without binding

### Specifications:

---

OD: 9.024"

ID: 7.226"

Teeth: 19/24

Thickness: .110"/2.80mm