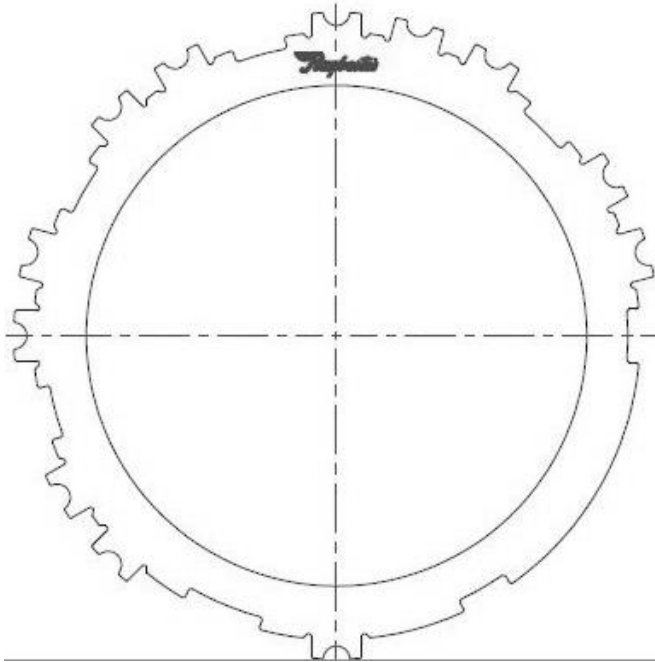


**GM 6F35**

**1-2-3-4 (12 Tooth)**

**Steel Plate**



**Part No.**

**5111070**

**Year Coverage:**

2007-ON

**OEM Number(s):**

24258067

**Carton Qty:**

100

**Features/Benefits:**

- OE thickness for maximum heat sink with better shift performance and clutch durability to extend transmission life
- Meets or exceeds OE specifications for flatness and parallelism with a superior surface finish for greater apply area and friction clutch life
- Flawless fit without binding

**Specifications:**

OD: 9.601"

ID: 7.436"

Teeth: 12/24

Thickness: .068"/1.73mm