

TRANSMISSION PARTS

Underdrive Steel Plate

Transmission: Hyundai A6LF2 (6 Speed 2WD)

Part No.
511343

Year Coverage:
2011-12

OEM Number(s):
Part of 456253B001

Carton Qty:
100

Usage:
2

Number of Teeth:
7

Groove:
NA

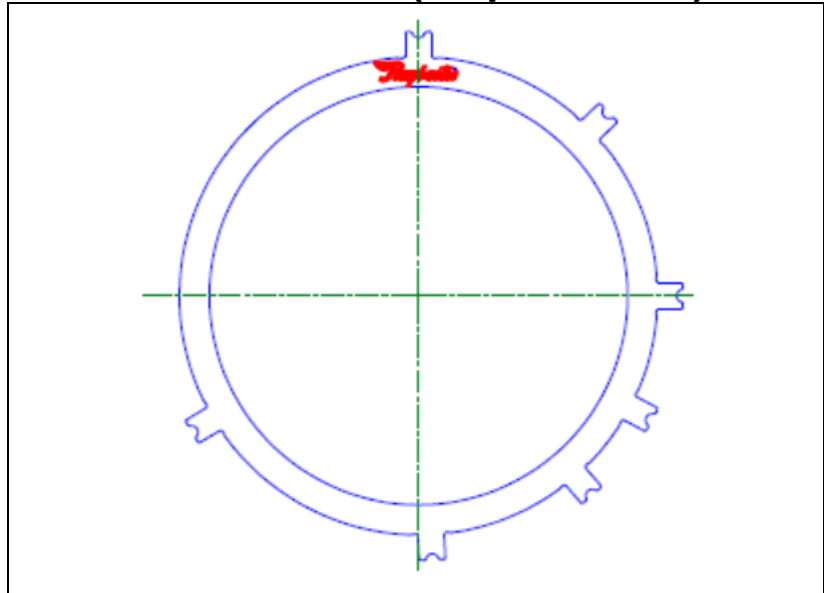
O.D.
7.824"

I.D.
6.186"

Thickness:
.079"/2.01mm

Also Available for Hyundai A6LF2

Filter:
515337



Features/Benefits:

- OE thickness for maximum heat sink
- Superior surface finish for greater apply area and friction clutch life
- Meets or exceeds OE specifications for flatness and parallelism
- Flawless fit without binding
- Better shift performance and clutch durability
- Extended transmission life