

## TRANSMISSION PARTS

### K2 (2-4-6-Reverse)(Middle) Steel Plate (Waved)

**Transmission: VW / Audi 0B5**  
(7 Speed DL501 Dual Clutch DSG Mechatronic)

**Part No.**  
511403

**Year Coverage:**  
2008-ON

**OEM Number(s):**  
NA

**Carton Qty:**  
100

**Usage:**  
5

**Number of Teeth:**  
30

**Groove:**  
NA

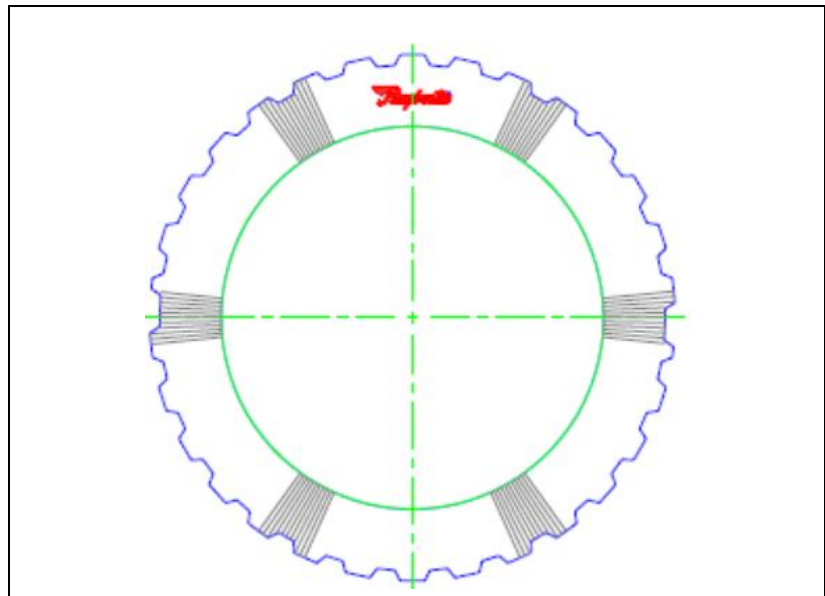
**O.D.**  
6.146"

**I.D.**  
4.471"

**Thickness:**  
.078"/1.98mm

**Also Available for VW / Audi 0B5**  
(7 Speed DL501 Dual Clutch DSG Mechatronic)

**Filter:**  
515996



### Features/Benefits:

- OE thickness for maximum heat sink
- Superior surface finish for greater apply area and friction clutch life
- Meets or exceeds OE specifications for flatness and parallelism
- Flawless fit without binding
- Better shift performance and clutch durability
- Extended transmission life