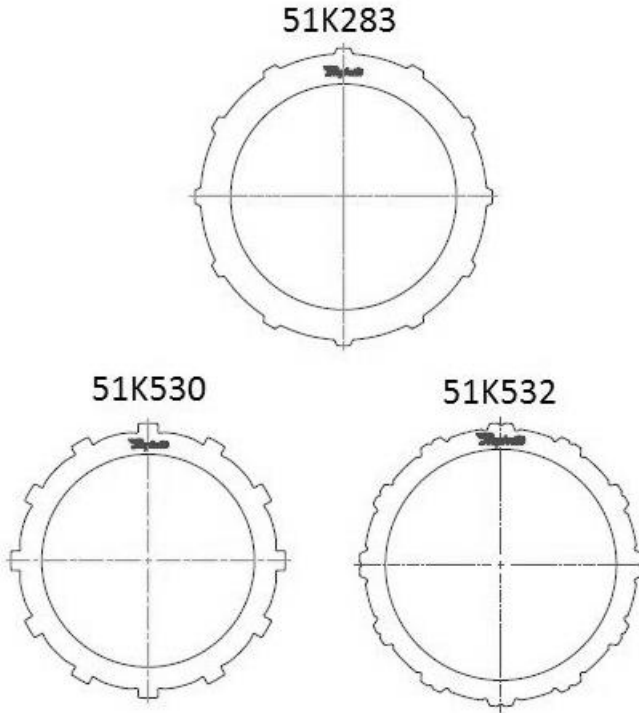


Chrysler 46RE, 47RE

Kolene® Steel Module



Part No.
STMCHRY04K

Year Coverage:
1997-2003

Carton Qty:
6 Boards/Carton

Features/Benefits:
Complete unit coverage.

Flawless-fit steel clutch plates with engineered heat sink and superior surface finish deliver better shift performance and clutch durability, lower noise and shudder, and longer clutch life after rebuild.

Components:

Part No.	Qty.	Description
51K283	7	Front/Rear, High & Reverse
51K530	4	Overdrive Brake
51K532	9	Overdrive Direct