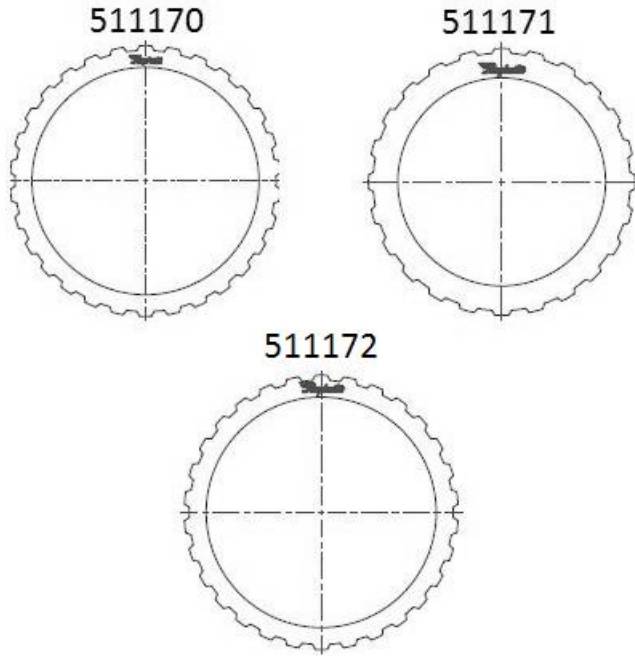


Ford 6R80

Steel Module



Part No.
STMFORD06

(Recommend to use with RGPZ-017 Clutch-Pack Module)

Year Coverage:
2008-ON

Carton Qty:
6 Boards/Carton

Features/Benefits:
Complete unit coverage.

- * OE thickness for maximum heat sink
- * Superior surface finish for greater apply area and improved friction clutch life
- * Better shift performance and clutch durability

Components:

Part No.	Qty.	Description
511170	12	B/D Pack
511171	7	E Clutch
511172	11	A/C Pack