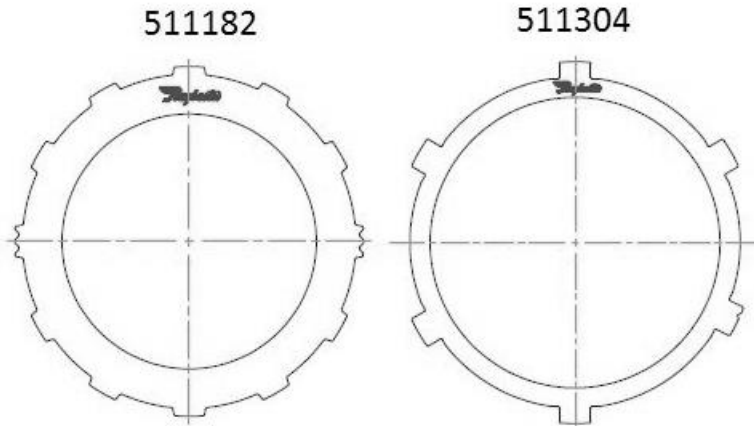


GM Powerglide

Steel Module



Part No.
STMGM13

Year Coverage:
1962-1973

Carton Qty:
6 Boards/Carton

Features/Benefits:
Complete unit coverage.

Flawless-fit steel clutch plates with engineered heat sink and superior surface finish deliver better shift performance and clutch durability, lower noise and shudder, and longer clutch life after rebuild.

Components:

Part No.	Qty.	Description
511182	8	High/Front
511304	5	Reverse