

GM Powerglide

Kolene[®] Steel Module

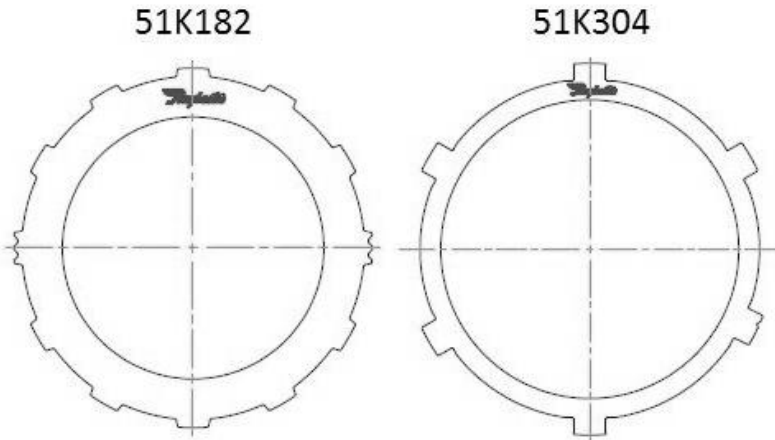
Part No.
STMGM13K

Year Coverage:
1962-1973

Carton Qty:
6 Boards/Carton

Features/Benefits:
Complete unit coverage.

These high-performance steel clutch plates deliver up to 500% enhanced wear and fatigue resistance, with superior clutch durability. (Kolene[®] is a registered trademark of the Kolene Corporation.)



Components:

Part No.	Qty.	Description
51K182	8	High/Front
51K304	5	Reverse