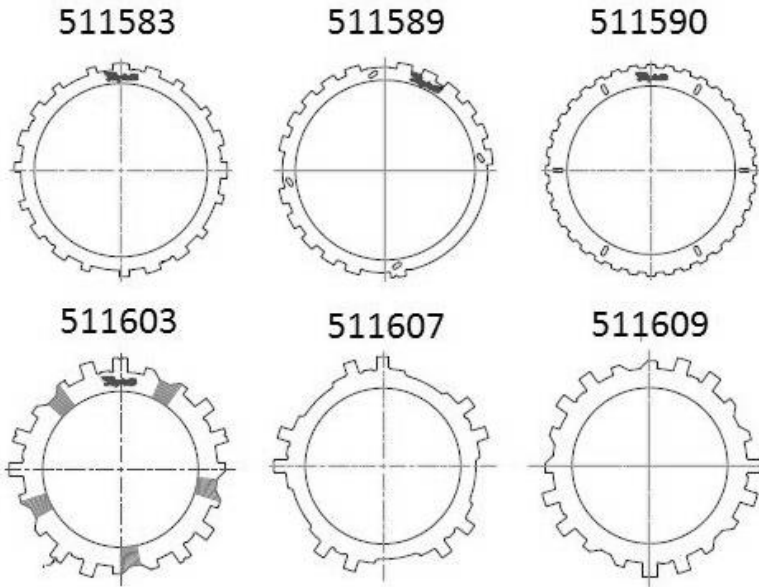


**GM 4L60E, 4L65E**

**Steel Module**



**Part No.**  
**STMGM14**

**Year Coverage:**  
2001-ON

**Carton Qty:**  
3 Boards/Carton

**Features/Benefits:**  
Complete unit coverage.

Flawless-fit steel clutch plates with engineered heat sink and superior surface finish deliver better shift performance and clutch durability, lower noise and shudder, and longer clutch life after rebuild.

**Components:**

Part No.	Qty.	Description
511583	6	3-4
511589	5	Low, Reverse
511590	4	Reverse Input
511603	1	Forward (Waved)
511607	2	Overrun
511609	4	Forward