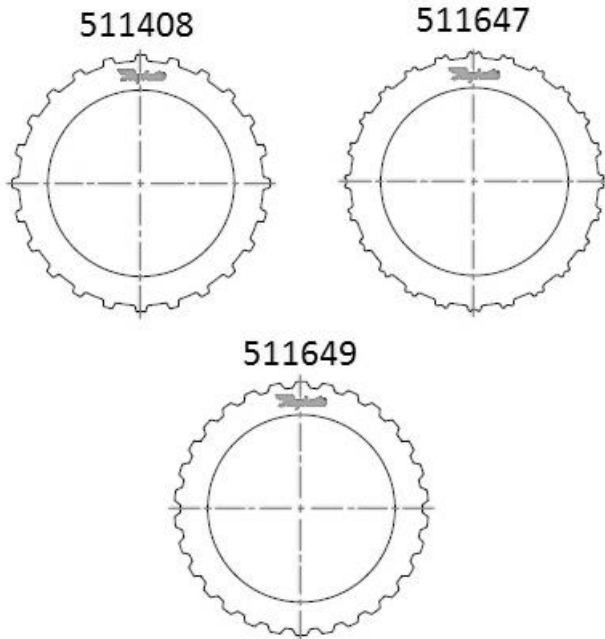


## Honda/Acura MCTA (Acura TSX)

## Steel Module



**Part No.**  
**STMHONDA67**

**Year Coverage:**  
2006-2008

**Carton Qty:**  
6 Boards/Carton

**Features/Benefits:**  
Complete unit coverage.

### Components:

Part No.	Qty.	Description
511408	6	2nd
511647	8	4 <sup>th</sup> , 5 <sup>th</sup>
511649	11	Low, 3 <sup>rd</sup>