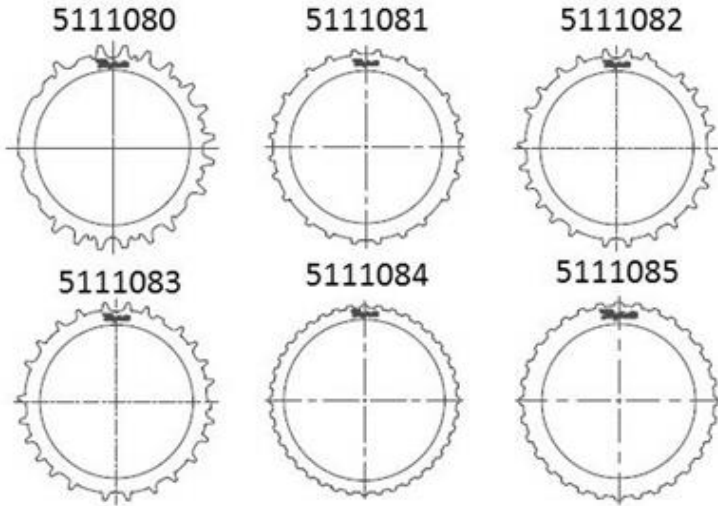


Mazda FW6A-EL

Steel Module



Part No.
STMMAZDA18

Year Coverage:
2012-ON

Carton Qty:
6 Boards/Carton

Features/Benefits:
Complete unit coverage.
Flawless-fit steel clutch plates with engineered heat sink and superior surface finish deliver better shift performance and clutch durability, lower noise and shudder, and longer clutch life after rebuild.

Components:

Part No.	Qty.	Description
5111080	4	Low, Reverse
5111081	3	3, 5, Reverse
5111082	1	2/6 (.079")
5111083	3	2/6 (.063")
5111084	5	Low
5111085	5	High