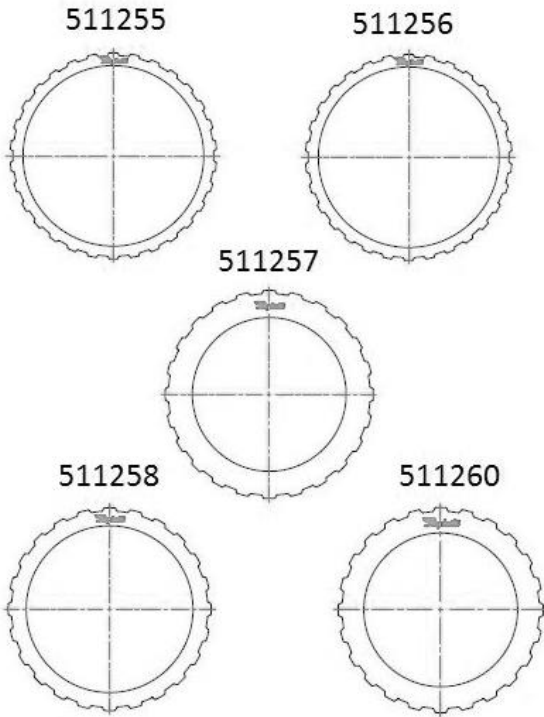


ZF 6HP19A

Steel Module



Part No.
STMZF21

Year Coverage:
2000-ON

Carton Qty:
6 Boards/Carton

Features/Benefits:
Complete unit coverage.

Flawless-fit steel clutch plates with engineered heat sink and superior surface finish deliver better shift performance and clutch durability, lower noise and shudder, and longer clutch life after rebuild.

Components:

Part No.	Qty.	Description
511255	5	A Clutch (1-2-3-4)
511256	6	B Clutch (3-5-Rev)
511257	4	C Clutch (2-6)
511258	5	D Clutch (1 st -Rev)
511260	6	E Clutch (4-5-6)