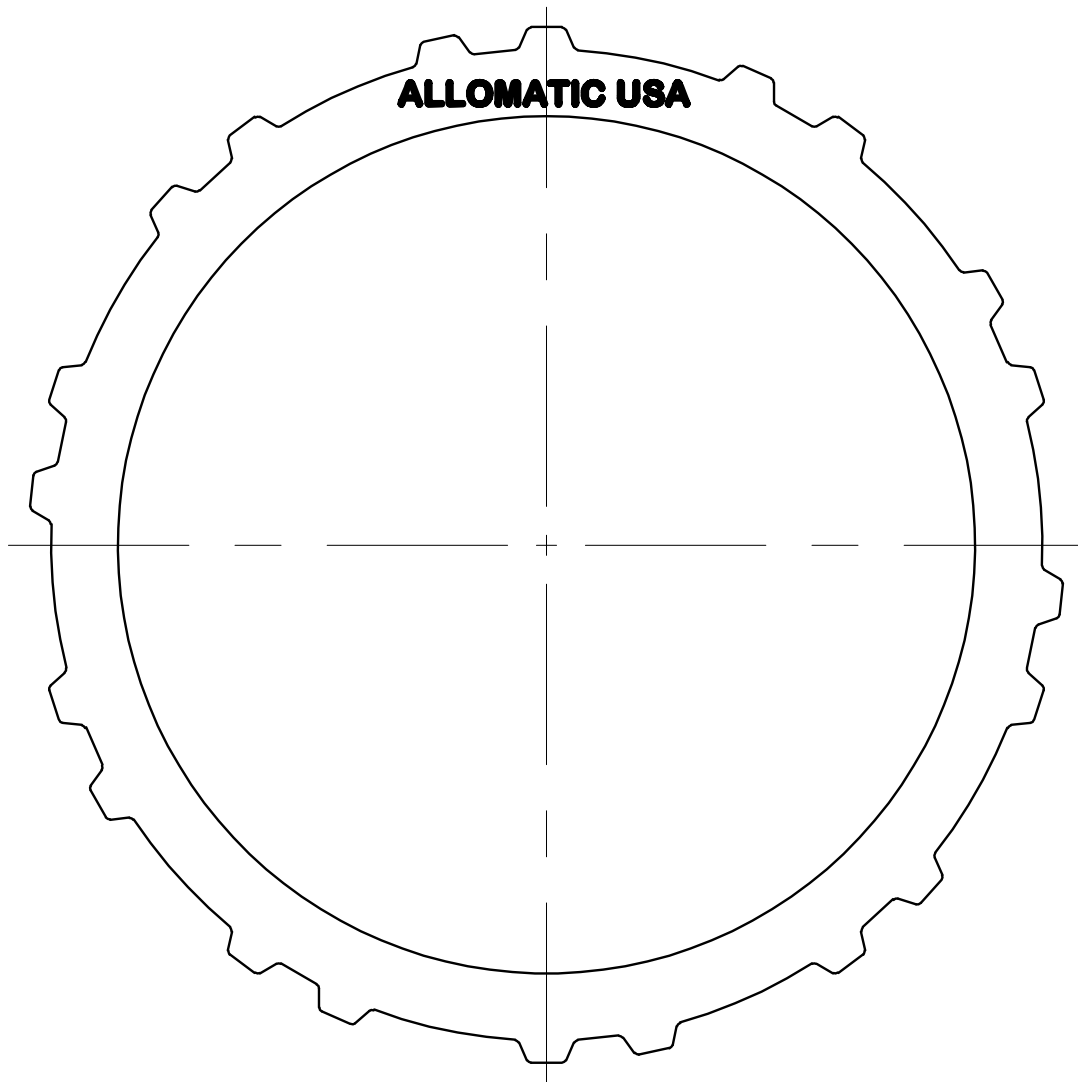


CLUTCH PLATE DATA:		<small>PART NUMBER</small> 511021	MITSUBISHI, HYUNDAI/KIA F4A41/42, A5GF1 1996-UP, 2005-2011 UNDERDRIVE
NUMBER OF TEETH	20/30	ALLOMATIC 609 EAST CHANEY STREET SULLIVAN, INDIANA 47882 www.alloomatic.com	
OUTSIDE DIAMETER	5.620±.010		
INSIDE DIAMETER	4.655±.010		
OVERALL THICKNESS	.071 (OE REF)		



12/13/11