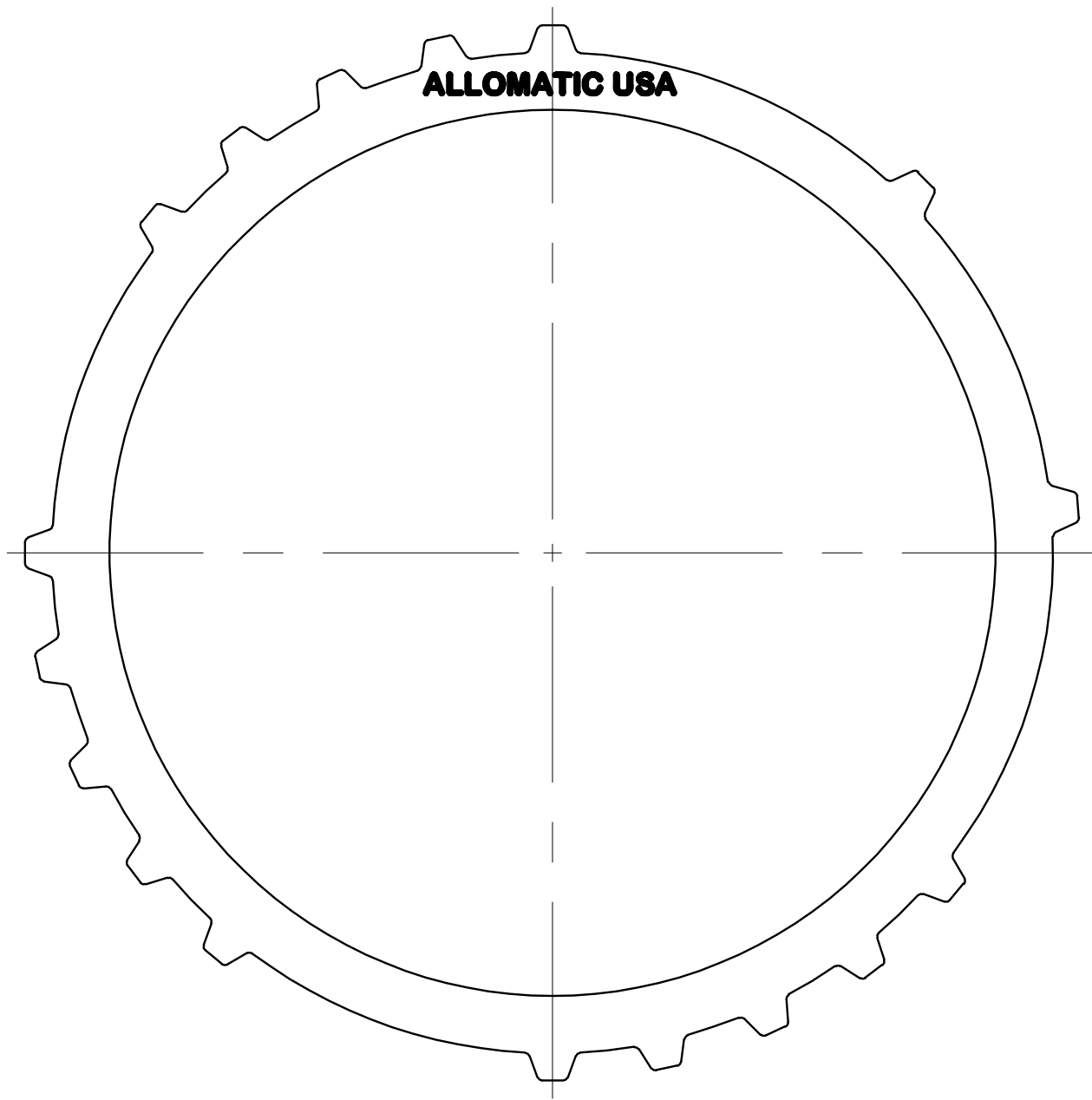


CLUTCH PLATE DATA:		<small>PART NUMBER</small> 511026	MITSUBISHI, HYUNDAI/KIA F4A41/42, A5GF1 1996-UP, 2005-2011
NUMBER OF TEETH	17	ALLOMATIC <small>609 EAST CHANEY STREET SULLIVAN, INDIANA 47882</small> www.alloomatic.com	
OUTSIDE DIAMETER	6.605±.010		
INSIDE DIAMETER	5.545±.010		
OVERALL THICKNESS	.040 (OE REF)		
			LOW/REVERSE



12/13/11