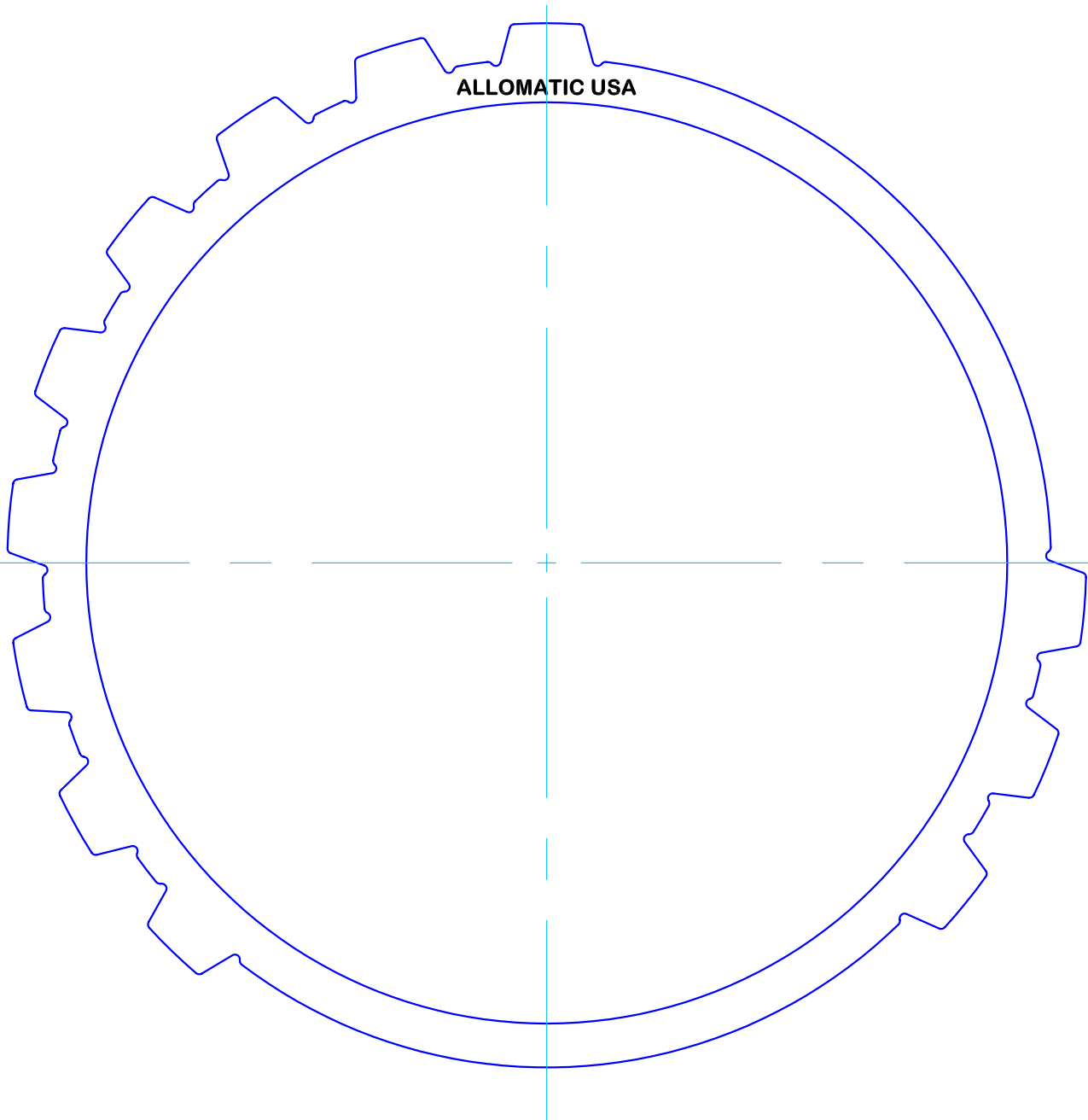


CLUTCH PLATE DATA:		PART NUMBER 1111	FORD FOCUS 4F27E '99 UP
NUMBER OF TEETH	12		
OUTSIDE DIAMETER	6.585±.010	ALLOMATIC 609 EAST CHANEY STREET SULLIVAN, INDIANA 47882 www.alloomatic.com	LOW/REV
FRICTION MATERIAL	NA		
OVERALL THICKNESS	0.060±.003		



09/04/03