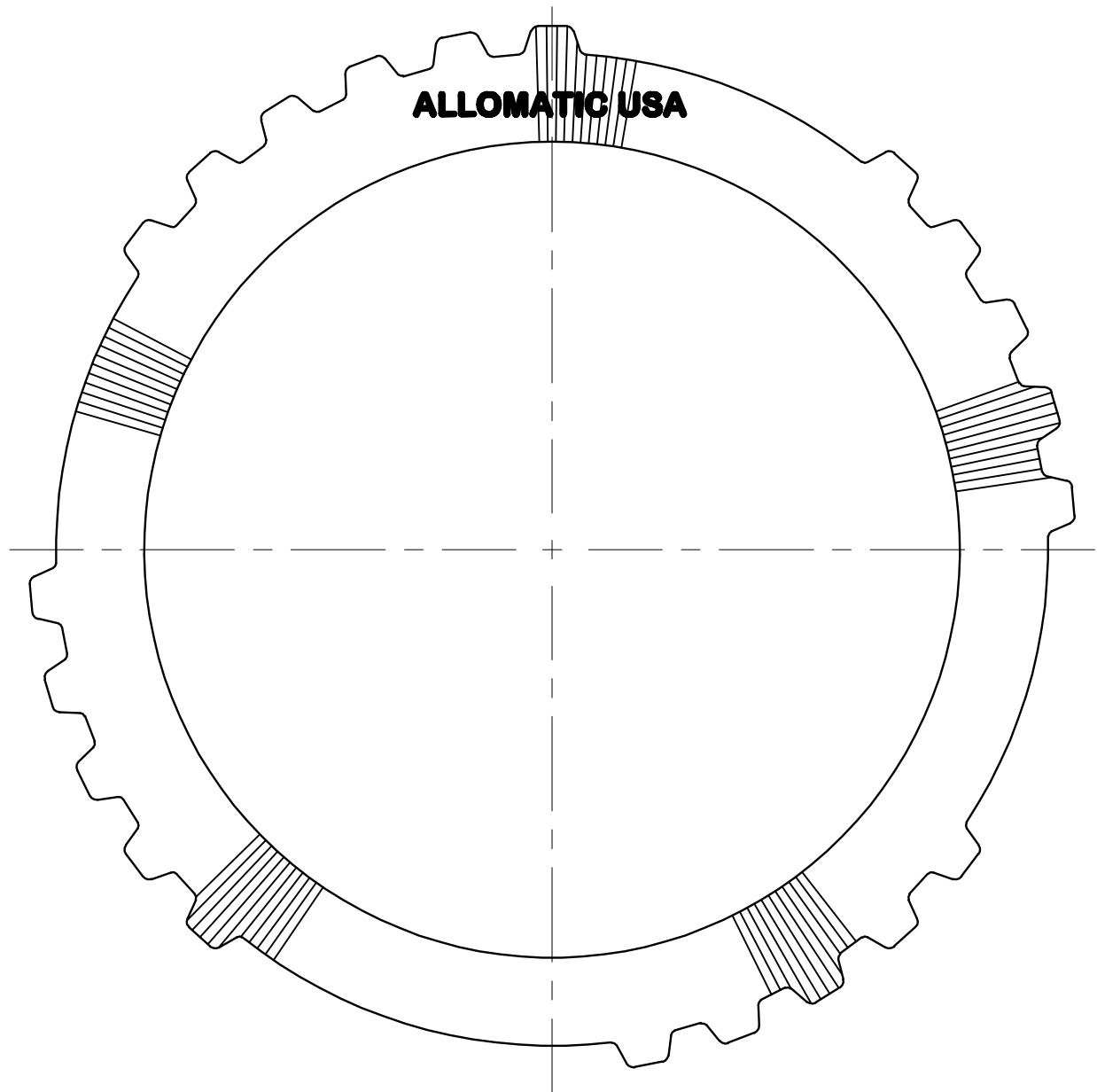


CLUTCH PLATE DATA:		<small>PART NUMBER</small> 511140	FORD AXOD, AXOD-E, AX4S 1990-1992
NUMBER OF TEETH	21	ALLOMATIC <small>609 EAST CHANEY STREET SULLIVAN, INDIANA 47882</small> www.allomatic.com	
OUTSIDE DIAMETER	6.065±.010		
INSIDE DIAMETER	4.725±.010		
OVERALL THICKNESS	.075±.003		
			FORWARD - WAVED



06/17/03